

# Ydea-C5 System

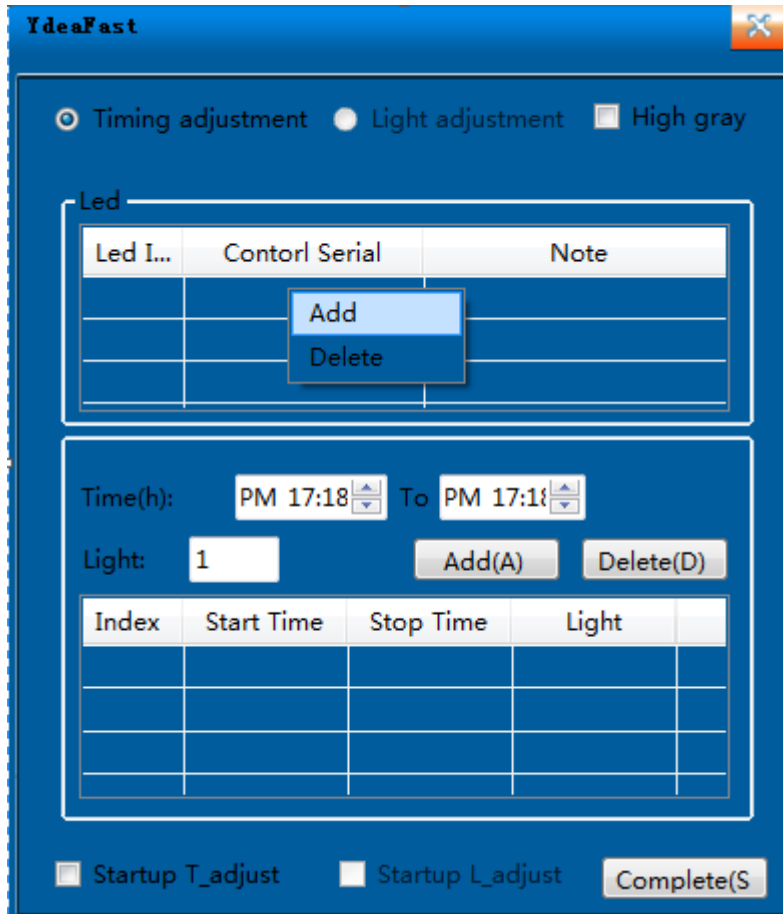
## Automatic Brightness Adjustment\_Light Sensor User Manual

Automatic Brightness Adjustment\_Light Sensor includes 2 modes:

Timing adjustment and light sensation adjustment;

### 1 .Timing adjustment :

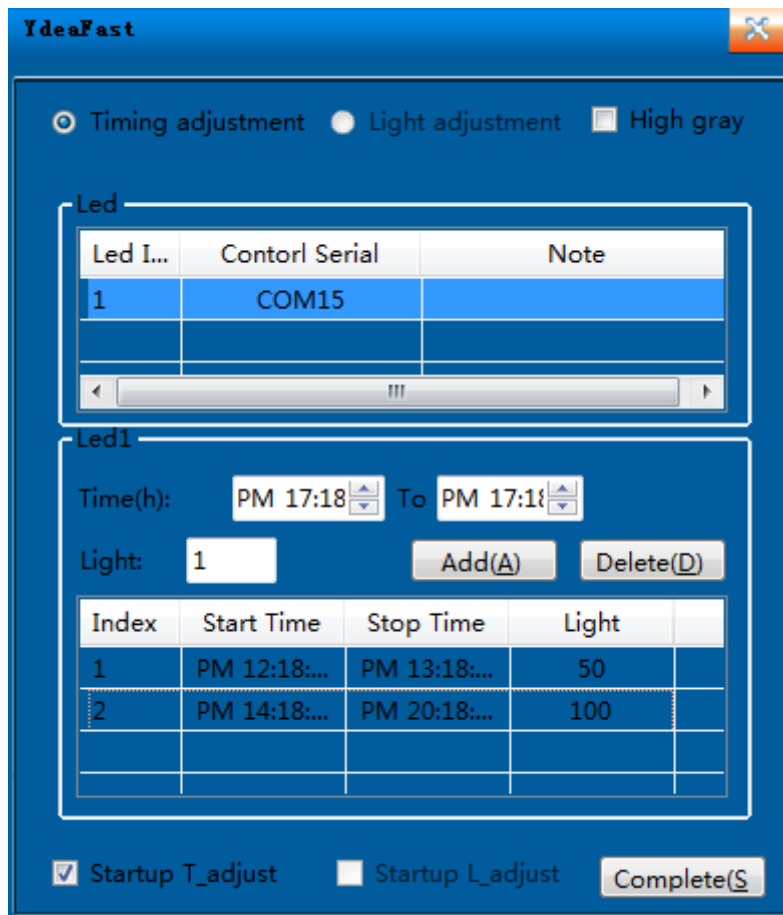
1. Open YdeaFast (V2.0.5) control software, and switch to C5C /C5M interface. Click "function", then click " Automatic Brightness adjustment\_Light Sensor " enter configuration interface;
- 2."Adding, delete" button will appear when click the blank space at the bottom of "screen serial number";  
( The serial port of the controller connected to computer can be added or deleted )



(Picture 1 Software Main interface)

**Remark : COM15 is the serial port of the controller connected to the current computer. It can be added when clicked;**

3.The configuration of the timing adjustment can be shown as below, which includes: time synchronization, beginning and ending time, brightness value, adding and delete;



(Picture 2 Timing adjustment interface)

**Beginning and ending time:** After setting the time synchronization, set the time of the screen starting;

**Brightness value:** control brightness value

**Adding:** after setting beginning & ending time and brightness value, click to create a controlling strategy in the list below:

**Remark:** when time setting is overlapping, it should give priority to the control strategy with lower serial number;

**Delete:** click the strategy unneeded then click "delete" to clear it.

**Remark:** When there is no controlling strategy, take the brightness manually setting as the default brightness value;

## 2.Method of time setting :



(picture 3 timing setting)

1. When set up time, it can't be set beyond 23:59:59, that is to say, the setting time can't cross the day.
- 2.If time need to set for next day, it requires to increase time bucket: XX XX XX --- 23.59.59 (the time bucket of current day), 0 : 0 : 0--- XX XX XX (the time wanted), as shown above.

## 3. Start and use the timing adjustment mode :

1. Tick the option of "timing adjustment "and" start timing adjustment "at the menu above.(When tick the " start timing adjustment " the brightness can only be adjusted in the mode of "timing adjustment ") ;
2. Set the beginning & ending time and brightness value.
3. Click "adding" to create a corresponding controlling strategy.
4. Click the unwanted controlling strategy and choose "delete" to clear it.
5. Finally click "finish"

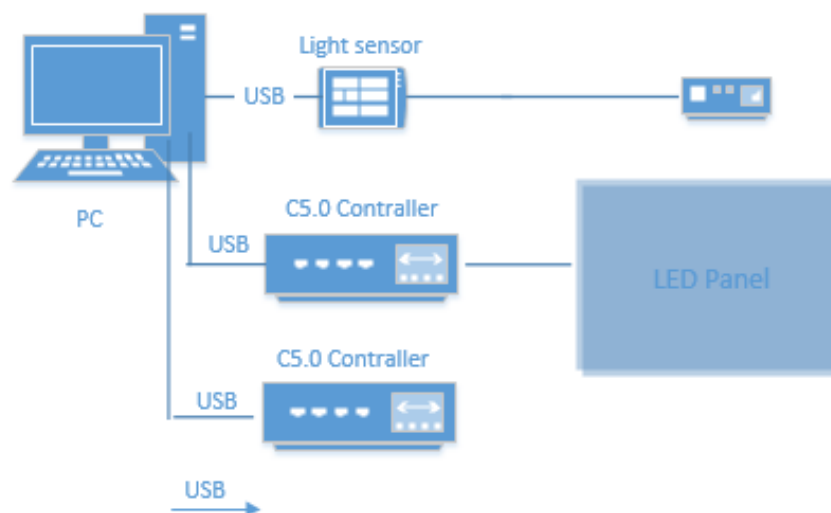
#### Remarks:

1. **When start and use the brightness automatic adjustment, we can't close the software in the computer, otherwise it will fail. And the status of the computer software needs to be on when the computer begins to work;**
2. **Open and start setting: host computer software <setting> and tick <open and start>;**
3. **If two time quantum are the same but with different brightness values, only the brightness value of the first time quantum is effective. The unit of the time quantum is hour;**

## 2. Light sensation adjustment :

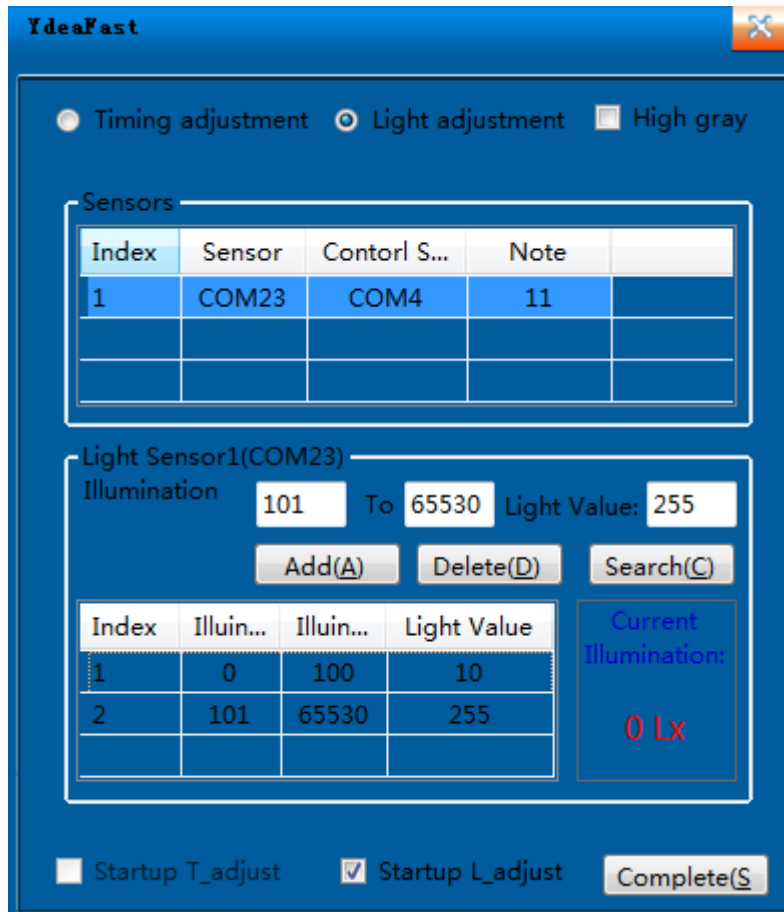
### 2.1 Connection diagram:

1. Light sensor connects to USB of computer. The host computer software will have real-time detection of the data returned from the light sensor.
2. The sketch map below is for the connection of computer with controller via light sensor.
3. Single Light sensor can control several C5.0 controllers' brightness.



### 2.2 Use software to allocate light sensation parameter

Open Y deaFast ( v2.0.5 ) controlling software and click "function". Click "Automatic Brightness adjustment\_Light Sensor" enter configuration interface;

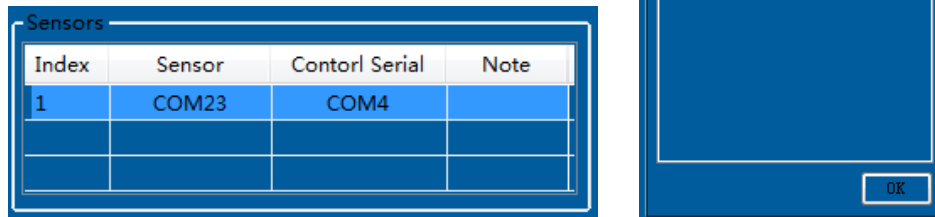


( picture 4 light sensation parameter configuration )

**Light sensation adjustment** :If the illumination is at a predefined light interval, the screen will adjust brightness automatically according to preset brightness value.

Light sensation adjustment supports multiple sensors. Double-click the empty area under the controlling port to select the corresponding serial port.

**Note: This function can be used to record some features of the current sensors, such as the position of the sensor, left, right, or middle. Double-click the blank area below to display an edit box;**



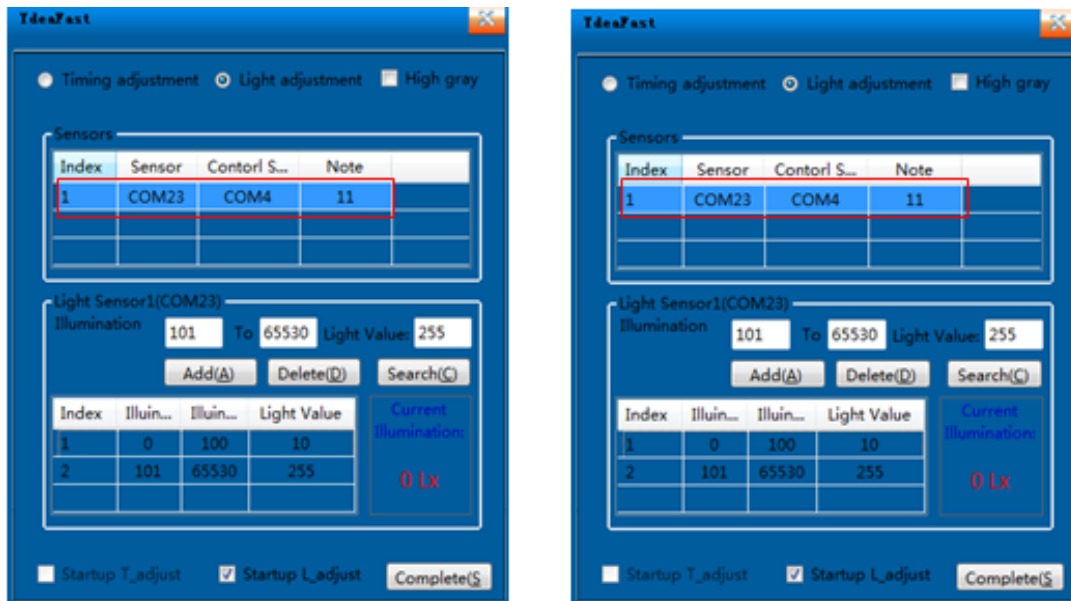
**2.2.1** First, click [check] to see the Illuminance values beneath. The unit is unit Lx.

**2.2.2** You can set the lighting interval and the corresponding luminance value based on the current environmental illuminance. The range of brightness values is 0-255 and light interval can be set freely.

**2.2.3** If you need high grey level low brightness function, tick the function. After setting the light range and the corresponding luminance values, click Add will have lighting range appeared below the table. It supports multiple illumination range. Finally tick start light sensation adjustment and click Finish.

**2.2.4** Switch light sensor: single click the list of light sensor.





(Picture5 light sensor list)

**Remarks:**

1. When start the light sensation automatic adjustment, the computer software can't be off, otherwise it fails to work.
2. If two time quantum are the same but with different brightness values, only the brightness value of the first time quantum is effective.
3. The inquiry interval of the software is 1 second, that is to say, every one second the software should check the illuminance to match the corresponding brightness value.
4. Sensors can't be selected until multiple sensors are connected to the computer.